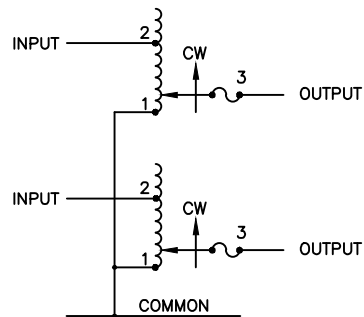
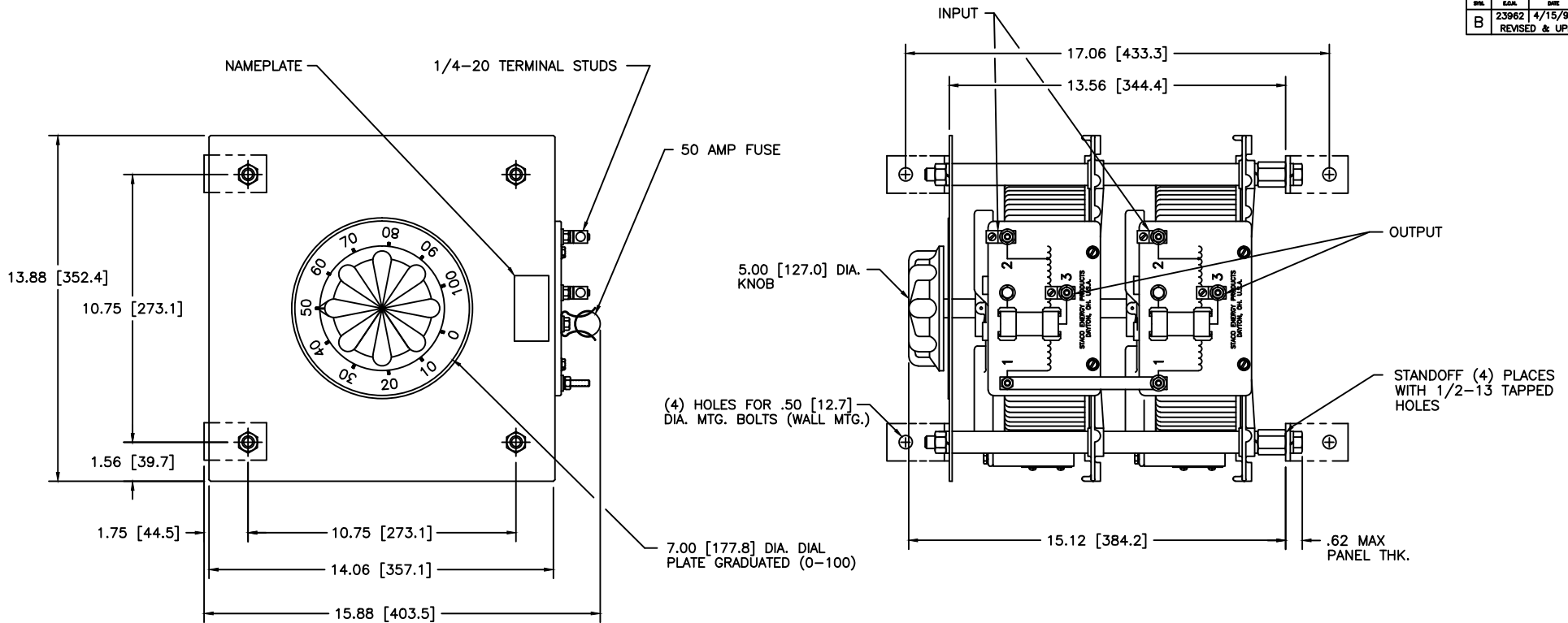


REV. NO.	031-6026		
REV. B	REVISED		
DATE	4/15/99	BY	JPM
23962	REVISED & UPDATED		



SCHMATIC

SPECIFICATIONS								
WIRING	INPUT		OUTPUT			SHAFT ROTATION TO INCREASE VOLTAGE	TERMINAL CONNECTIONS	
	VOLTS	HERTZ	VOLTS	MAX. AMPS	MAX. KVA		FOR INCREASING VOLTAGE AS VIEWED FROM ROTOR END	
SINGLE PHASE SERIES	240	50/60	0-280	50	14.0	CW	2-2	3-3
<small>UNLESS OTHERWISE SPECIFIED, TOLERANCE IS AS SHOWN IN DIMENSIONS</small> <small>ALL DIMENSIONS ARE IN INCHES</small> <small>ALL DIMENSIONS ARE TO CENTER UNLESS OTHERWISE SPECIFIED</small>							5011-2S SPEC. CONTROL DRAWING VARIABLE TRANSFORMER TYPE: 5011-2S	
<small>The information and design contained herein are the property of BSAICO and shall not be disclosed, copied, or reproduced in any form, without the written consent of BSAICO. BSAICO assumes no responsibility for any errors or omissions in this drawing. The user shall be responsible for verifying the accuracy of the information contained herein. This drawing is not to be used for manufacturing purposes.</small>							BSAICO <small>INDUSTRIAL PRODUCTS CO.</small> <small>A DIVISION OF BSAICO</small> <small>DAYTON, OHIO U.S.A.</small>	
<small>DESIGNED BY</small> TIM RAU	<small>DATE</small> 4/15/99	<small>FIRST USED ON</small> 134 TBS	<small>DO NOT SCALE DRAWING</small> SCALE 5=1	<small>COMP. NO.</small> 134 TBS	<small>DATE</small> 4/15/99	<small>CHKD. BY</small> JPM	<small>DATE</small> 4/15/99	<small>DRW. NO.</small> 031-6026