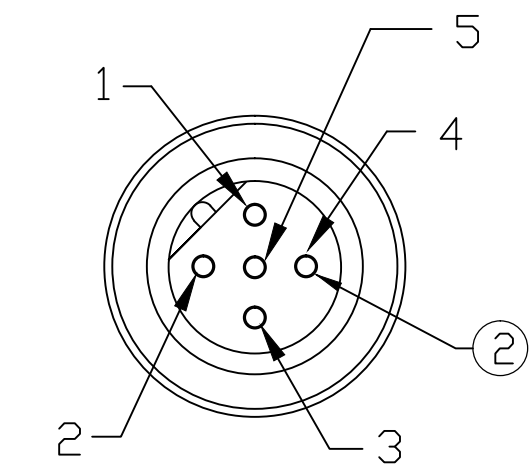
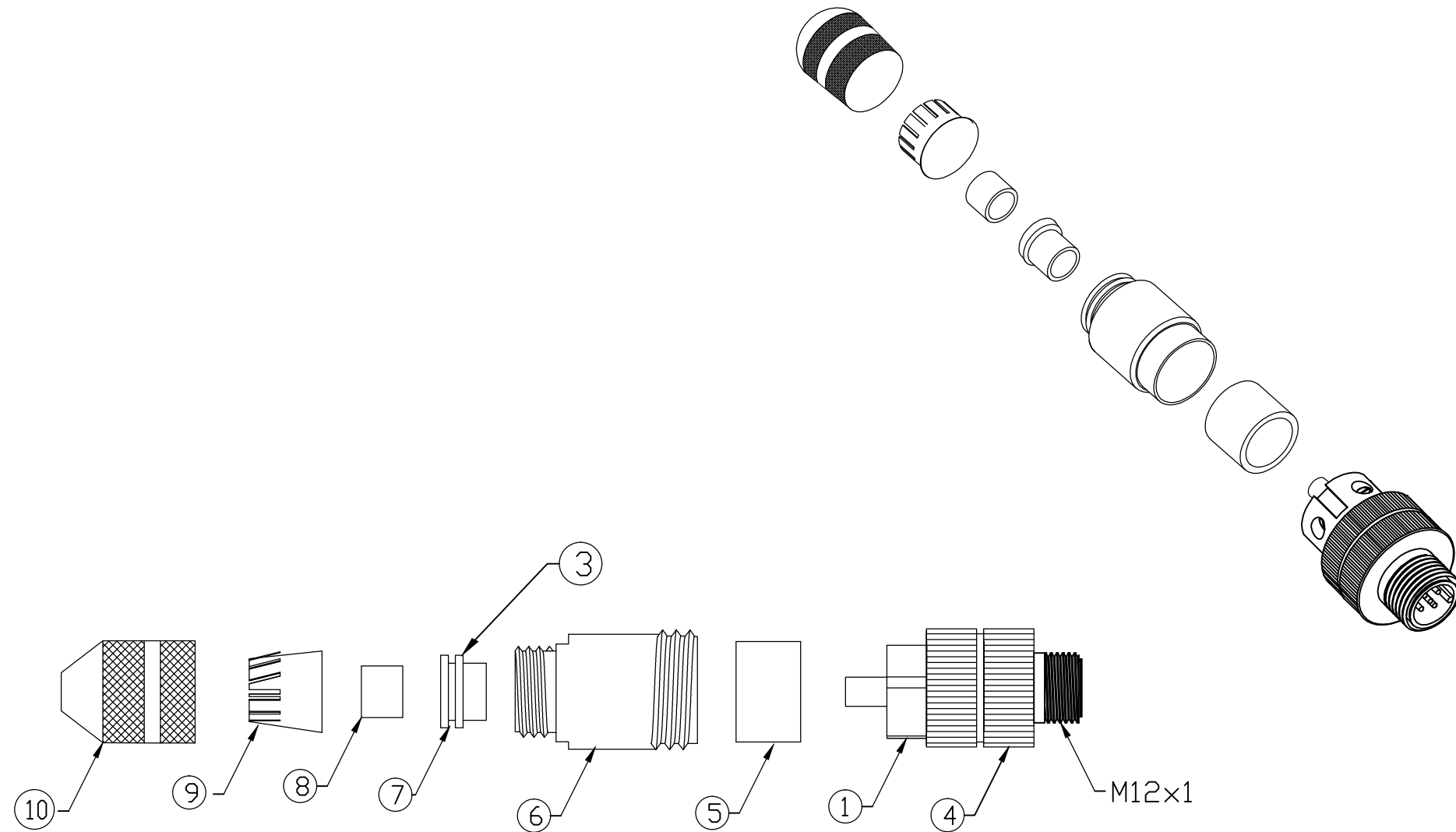
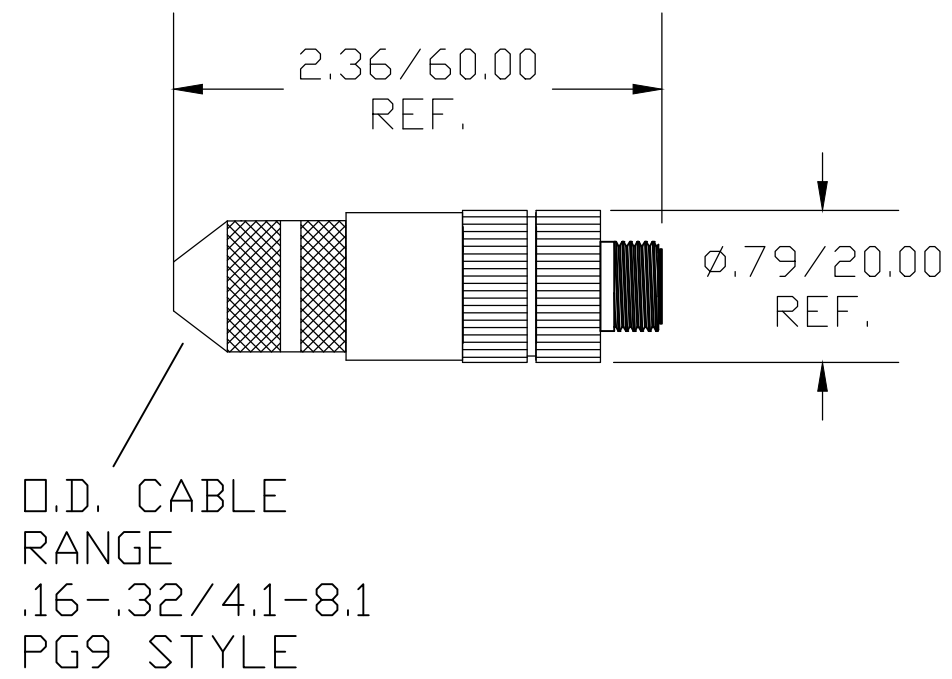


MATERIAL NUMBER	OLD PART NUMBER
120100-0002	BA5S06-32



MALE FACE VIEW

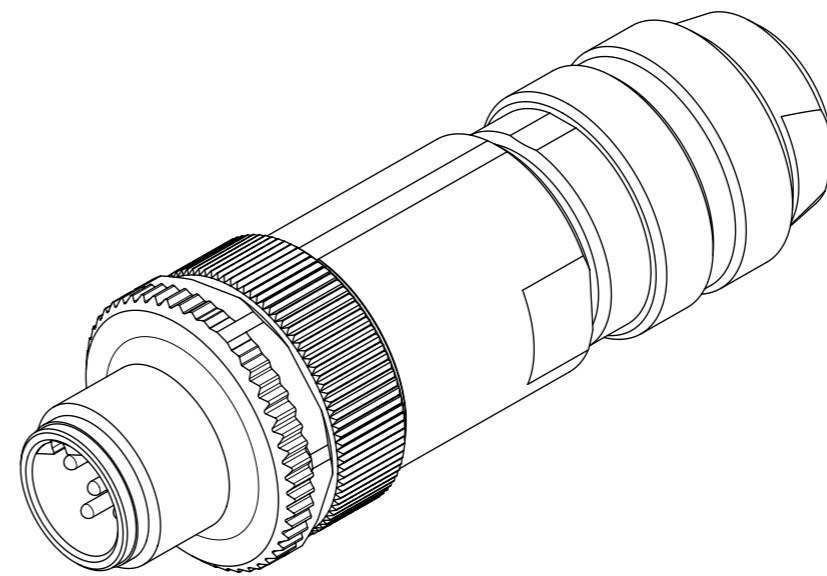
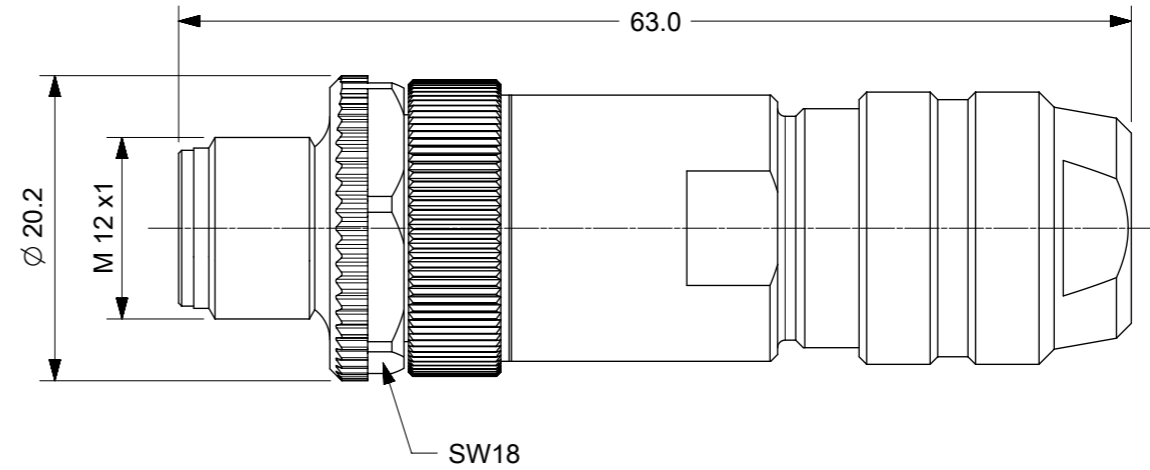
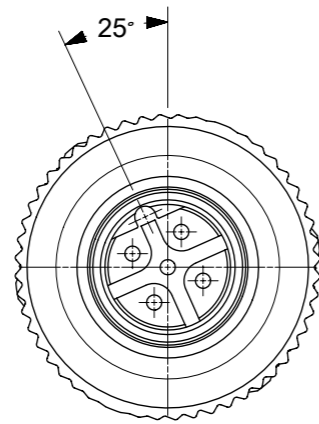
1	NOT USED
2	GREEN (BUS-A)
3	NOT USED
4	RED (BUS-B)
5	SHIELD

WIRING CHART

ITEM	COMPONENT	MATERIAL	FINISH
1	INSERT	NYLON	BLACK
2	CONTACTS	COPPER ALLOY	SILVER PLATED
3	O-RING	NITRILE	BLACK
4	COUPLING NUT	BRASS	NICKEL PLATED
5	GROOMET	NITRILE	BLACK
6	BODY	BRASS	NICKEL PLATED
7	SLEEVE	BRASS	NICKEL PLATED
8	GROOMET	NITRILE	BLACK
9	STRAIN RELIEF	NYLON	WHITE
10	BODY	BRASS	NICKEL PLATED

VOLTAGE RATING	250VAC/VDC
AMPERAGE RATING	4 AMPS
PROTECTION	IP67
OPERATING TEMPERATURE	-25°C TO 90°C

CHANGE COLOR #3&9 EC NO: WNA2012-0118 DRWN: TWOLDEGE 8/25/11 CHKD: BWOODMAN APPR: JFMURPHY 2009/08/28	QUALITY SYMBOL ▽=0 ▽=0	GENERAL TOLERANCES (UNLESS SPECIFIED)		DIMENSION STYLE IN/MM		SCALE 1:1	DESIGN UNITS INCH	THIRD ANGLE PROJECTION		
		4 PLACES ±--- ±--- 3 PLACES ±.005 ±.005 2 PLACES ±.013 ±.010 1 PLACE ±.025 ±.020		DRAWN BY DATE TWOLDEGE 2009/08/27		TITLE M12 5P MALE ATTACHABLE PROFIBUS SHIELDED CABLE RANGE .16\"/> 				
		ANGULAR ±1/2°		CHECKED BY DATE BWOODMAN 2009/08/27		MOLEX INCORPORATED				
		DRAFT WHERE APPLICABLE MUST REMAIN WITHIN DIMENSIONS		APPROVED BY DATE JFMURPHY 2009/08/28		MATERIAL NO. 1201000002		DOCUMENT NO. SD-120100-002		SHEET NO. 1 OF 1
THIS DRAWING CONTAINS INFORMATION THAT IS PROPRIETARY TO MOLEX INCORPORATED AND SHOULD NOT BE USED WITHOUT WRITTEN PERMISSION										



PRE-RELEASE
REFERENCE
USE ONLY

- NOTES:
- 1: LOCKING SYSTEM: SCREW
WIRE GAUGE: 0.75mm²
CABLE OUTLET: 6,5 - 8,5mm
 2. ELECTRICAL DATA:
CURRENT RATING: 4A
VOLTAGE RATING: 60V
 3. MECHANICAL:
OPERATING TEMP.: -40°C to +85°C
PROTECTION CLASS: IP67
 4. MATERIAL:
CONTACT: CuZn (BRASS)
CONTACT PLATING: Au (GOLD)
HOUSING: zinc die cast
COUPLING NUT: CuZn (BRASS)

ENG.-NO: BA5S06-32

THIS DRAWING CONTAINS INFORMATION THAT IS PROPRIETARY TO MOLEX ELECTRONIC TECHNOLOGIES, LLC AND SHOULD NOT BE USED WITHOUT WRITTEN PERMISSION											
QUALITY SYMBOLS		2016/08/10		GENERAL TOLERANCES (UNLESS SPECIFIED)		DIMENSION UNITS		SCALE			
FA = 0 FE = 0 FB = 0 FC = 0 FD = 0 FE = 0 FF = 0 FG = 0 FH = 0 FI = 0 FJ = 0 FK = 0 FL = 0 FM = 0 FN = 0 FO = 0 FP = 0 FQ = 0 FR = 0 FS = 0 FT = 0 FU = 0 FV = 0 FW = 0 FX = 0 FY = 0 FZ = 0 FA = 0 FB = 0 FC = 0 FD = 0 FE = 0 FF = 0 FG = 0 FH = 0 FI = 0 FJ = 0 FK = 0 FL = 0 FM = 0 FN = 0 FO = 0 FP = 0 FQ = 0 FR = 0 FS = 0 FT = 0 FU = 0 FV = 0 FW = 0 FX = 0 FY = 0 FZ = 0		EC NO: 107393 DRWN: LRAMAMURTHY CHK'D: APPR:		4 PLACES ± 3 PLACES ± 2 PLACES ± 0.05 1 PLACE ± 0.3 0 PLACES ± 0.5		MM					
				ANGULAR TOL ± 1.0 °		DRWN BY: KGRUEDL		DATE: 2015/11/25		FA M12 PRO 5P BC MA STR SCR SHLD	
				DRAFT WHERE APPLICABLE MUST REMAIN WITHIN DIMENSIONS		CHK'D BY:		DATE:		PRODUCT CUSTOMER DRAWING	
						APPR BY: CBRUNS		DATE: 2016/04/08		SERIES: 120100	
						DRAWING SIZE: A3		THIRD ANGLE PROJECTION		MATERIAL NUMBER: 1201000002	
										CUSTOMER: GENERAL MARKET	
										DOCUMENT NUMBER: 1201000002	
										DOC TYPE: PSD	
										DOC PART: 000	
										SHEET NUMBER: 1 OF 1	