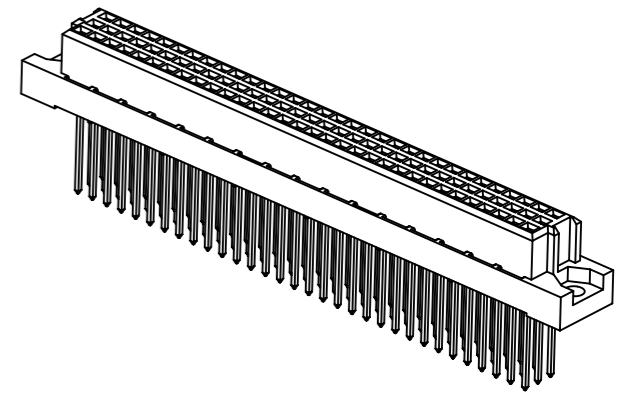


A  
board drillings

A  
contact arrangement

96 wire wrap contacts  
 ☒ = position with contact  
 ☐ = position without contact

B (2:1)



09 03 296 6878	2
part-no.	performance level 1

	All Dimensions in mm Original Size DIN A3		Scale 1:1	Free size tol. IEC 60603-2		Ref. Sub. TB 09 03 296 X878 / Mod. 34650 / 01.10.2007	
	All rights reserved Department EC PD - DE		Created by HAGEMEYERE	Inspected by TADJE	Standardisation KOHLER	Date 2016-02-04	State Final Release
HARTING Electronics GmbH D-32339 Espelkamp		Title DIN Signal type C female WW 96-pole rear I/O				Doc-Key / ECM-Nr. 100072232/UGD/098/B 500000100044	
		Type TB	Number 0903296X878		Rev. B	Page 1/1	

1 further information see: DS 09032100005